



Continuous Pressure Vacuum Breaker

Architect/Engineering Specifications:

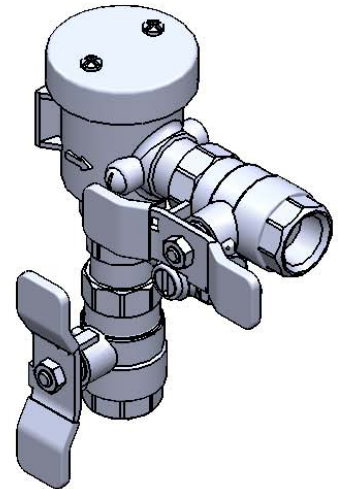
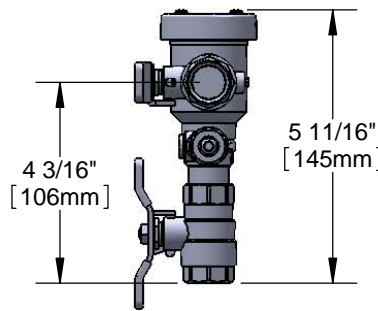
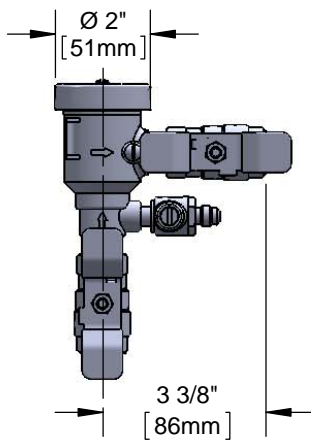
Continuous pressure vacuum breaker with chrome plated brass body, 1/2" NPT female inlet and outlet, quarter turn shut-off ball valves, test cock and bleeder screw. Certified to ASME A112.18.1/CSA B125.1, NSF 61-Section 9, NSF 372 and ASSE 1056.

Job Name _____

Model Specified _____ Quantity _____

Variations Specified _____

Date _____



Features & Benefits:

- Continuous pressure vacuum breaker
- 1/2" NPT female inlet & outlet
- Quarter turn shut-off ball valves
- Test cock
- Bleeder screw
- Material: Chrome plated brass body

Product Compliance:

- ASME A112.18.1 / CSA B125.1
- NSF 61 - Section 9
- NSF 372 (Low Lead Content)
- ASSE 1056 (VB)

Warranty: One Year (Limited)

Performance Data:

- Pressure: 20 - 125 psi
- Temperature: 40°F - 140°F
- Flow Rate: 19.50 GPM @ 60 psi

